

# DOUBLE-MASTED NAUTICAL ALUMINUM FLAGPOLE

## STANDARD BAARTOL FITTINGS:

- GOLD ANODIZED ALUMINUM BALL (SIZED TO MATCH POLE BUTT DIAMETER)
- DOUBLE ALL ALUMINUM REVOLVING TRUCK
- 4 - 5/16" POLYPROPYLENE HALYARDS WITH WIRE SPLICERS
- 8 - CHROME PLATED BRONZE SWIVEL SNAPS WITH VINYL SNAP COVERS
- 4 - 9" CAST ALUMINUM CLEATS WITH SCREWS
- 3 - AWNING PULLEYS (2-PULLEYS ON THE YARDARM - 1 PULLEY WITH THE GAFF)
- 1 - 15" SPUN ALUMINUM FLASH COLLAR (20 SPUN ALUMINUM FLASH COLLAR WITH THE 10" AND 12" BUTT DIAMETER FLAGPOLES.)
- 1 - CORRUGATED STEEL FOUNDATION TUBE (SIZED TO MATCH POLE BUTT DIAMETER) FOR FOUNDATION DETAIL-(SEE PAGE 25)

## OPTIONS AVAILABLE:

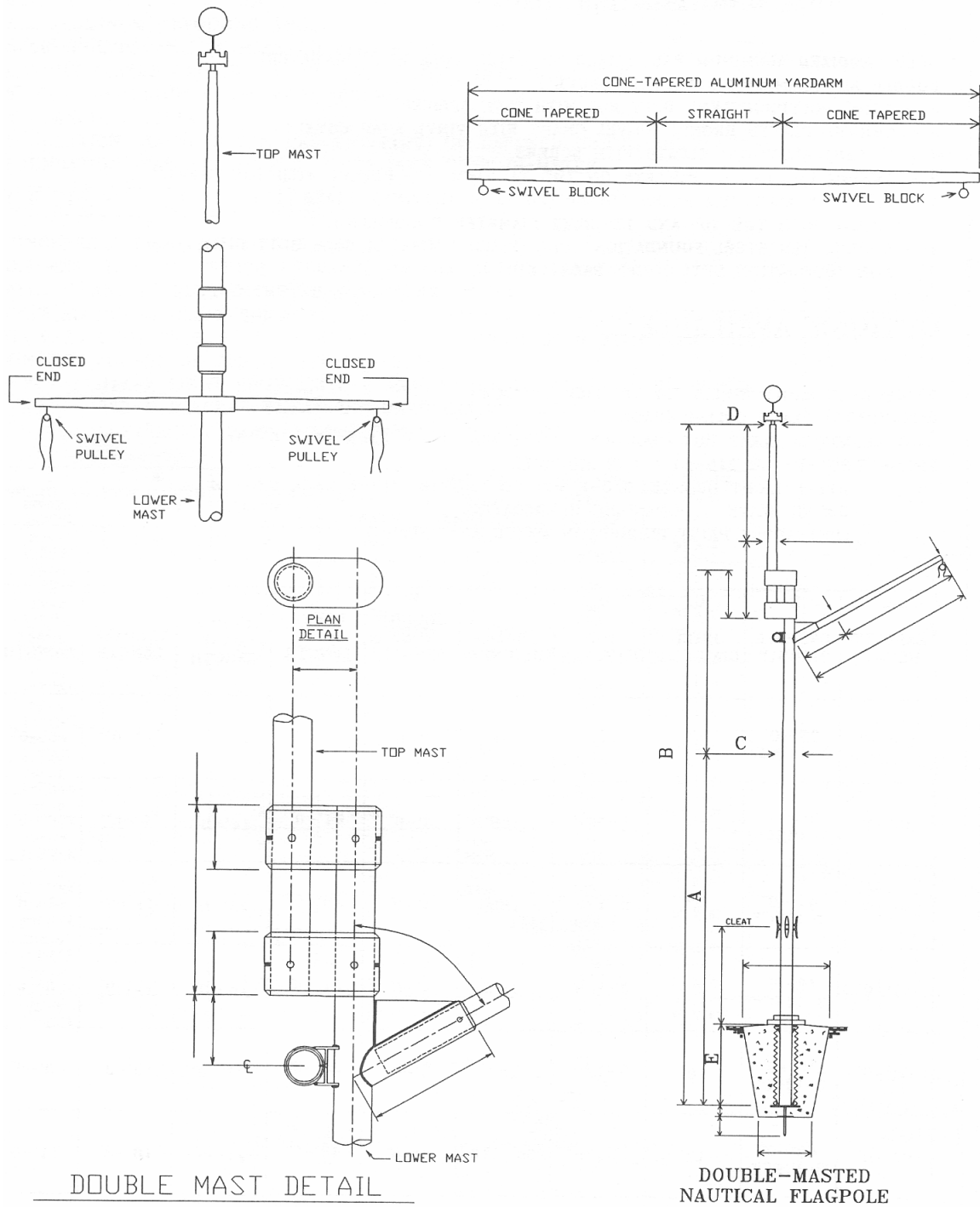
- WINGSPREAD EAGLE FINIAL TOP (IN LIEU OF BALL)
- ORNAMENTAL FLASH COLLAR (PAGE 16)
- CAST ALUMINUM CLEAT BOX (PADLOCK OR CYLINDER LOCK-PAGE 18 AND 19)
- FINISHES:204-R1 OR 215-R1 CLEAR ANODIZED
  - 311-E LIGHT BRONZE, 312-E MEDIUM BRONZE, 313-E DARK BRONZE
  - 335-E BLACK - DURANODIC HARDCOATING
  - LUSTRAPOLY PAINT FINISH:(CAN MATCH ANY COLOR)

A. EXPOSED HEIGHT	B. OVERALL HEIGHT	C. BUTT DIAMETER	D. TOP DIAMETER	WALL THICKNESS	E. GROUND TUBE LENGTH	LOWER MAST LENGTH	UPPER MAST LENGTH	YARDARM LENGTH	GAFF LENGTH
30'-0"	33'-0" 1-PIECE	6"	3-1/2"	.188"	3'-0"	21'-0"	12'-0"	8'-0"	5'-6"
35'-0"	38'-6" 1-PIECE	7"	3-1/2"	.188"	3'-6"	24'-0"	14'-6"	9'-6"	6'-0"
40'-0"	44'-0" 2-PIECE	8"	3-1/2"	.188"	4'-0"	28'-0"	16'-0"	11'-0"	7'-6"
45'-0"	49'-6" 2-PIECE	8"	3-1/2"	.188"	4'-6"	31'-6"	18'-0"	12'-0"	8'-0"
50'-0"	55'-0" 3-PIECE	10"	3-1/2"	.188"	5'-0"	33'-0"	22'-0"	13'-6"	9'-0"
60'-0"	66'-0" 3-PIECE	12"	4"	250" / .188"	6'-0"	42'-0"	24'-0"	16'-6"	11'-0"

THE BAARTOL COMPANY INC.

WATTS#:1-800-537-4143  
 PHONE#:1-419-673-0758  
 FAX#: 1-419-673-1409

# DOUBLE-MASTED NAUTICAL ALUMINUM FLAGPOLE



DOUBLE MAST DETAIL

DOUBLE-MASTED NAUTICAL FLAGPOLE